



Technical Specifications



MOBOTIX D16B DualDome

One Camera. Two Views.

Two lenses, two HiRes image sensors, internal MicroSD storage and a dual image of over 12 megapixels make the D16B DualDome an efficient security solution: Two different areas can be secured with just one camera. All without fragile mechanical components.

- Mx6 system platform 2nd generation, with MxBus, H.264 and ONVIF compatibility
- Recording on an internal MicroSD card (4 GB as standard)
- Integrated microphone and speaker
- Integrated shock detector and PIR sensor
- Suitable for mounting to a ceiling or wall
- Vandalism set for use in extremely harsh conditions
- Also easy to install on building corners and poles

NOTE! D16B DualDome series not available in the Americas.

Technical Specifications

MOBOTIX D16B DualDome

Camera Variants	D16B For Self-Assembly Day Or Night	D16B 180° Panorama Day Or Night	D16B Day & Night
Specialties	Modular system: D16B Body Mx-D16B with 1 or 2 sensor modules of choice, all components available separately for self-assembly	Complete sets (not available for the Americas) Special D16B systems with two factory-assembled sensor modules (all components also available separately for self-assembly)	
Lenses, Sensors (Integrated Into Sensor Modules)	D16B For Self-Assembly Day Or Night	D16B 180° Panorama Day Or Night	D16B Day & Night
Sensor module with Ultra Wide Lens B036 (103° x 77°), night version optionally with LPF	Day: Mx-O-SDA-S-6D036 Night: Mx-O-SDA-S-6N036 LPF: Mx-O-SDA-S-6L036	Not available	Mx-D16B-F-6D6N036 or self-assembly
Sensor module with Super Wide Lens B041 (90° x 67°), night version optionally with LPF	Day: Mx-O-SDA-S-6D041 Night: Mx-O-SDA-S-6N041 LPF: Mx-O-SDA-S-6L041	Day: Mx-D16B-P-6D6D041 Night: Mx-D16B-P-6N6N041 or self-assembly	Mx-D16B-F-6D6N041 or self-assembly
Sensor module with Wide Lens B061 (60° x 45°), night version optionally with LPF	Day: Mx-O-SDA-S-6D061 Night: Mx-O-SDA-S-6N061 LPF: Mx-O-SDA-S-6L061	Not available	Mx-D16B-F-6D6N061 or self-assembly
Sensor module with Standard Lens B079 (45° x 34°), night version optionally with LPF	Day: Mx-O-SDA-S-6D079 Night: Mx-O-SDA-S-6N079 LPF: Mx-O-SDA-S-6L079	Not available	Mx-D16B-F-6D6N079 or self-assembly

Camera Variants	D16B For Self-Assembly Day Or Night	D16B 180° Panorama Day Or Night	D16B Day & Night
Sensor module with Tele Lens B119 (31° x 23°), night version optionally with LPF	Day: Mx-O-SDA-S-6D119 Night: Mx-O-SDA-S-6N119 LPF: Mx-O-SDA-S-6L119	Not available	Mx-D16B-F-6D6N119 or self-assembly
Sensor module with Distant Tele Lens B237 (15° x 11°), night version optionally with LPF	Day: Mx-O-SDA-S-6D237 Night: Mx-O-SDA-S-6N237 LPF: Mx-O-SDA-S-6L237	Not available	Mx-D16B-F-6D6N237 or self-assembly

Hardware	D16B For Self-Assembly Day Or Night	D16B 180° Panorama Day Or Night	D16B Day & Night
Image sensor with individual exposure zones	Color or Black & White (B/W)	Color or B/W	Color & B/W
Light sensitivity in lux at 1/60 s and 1/1 s	0.1/0.005 (Color) 0.02/0.001 (B/W)	0.1/0.005 (Color) 0.02/0.001 (B/W)	0.1/0.005 (Color) 0.02/0.001 (B/W)
Image sensor (color or B/W sensor)	1/1.8" CMOS, 6MP (3072 x 2048), Progressive Scan		
Microprocessor	i.MX 6 Dual Core incl. GPU (1 GB RAM, 512 MB Flash)		
H.264 Hardware Codec	Yes, bandwidth limitation available; output image format up to QXGA		
Protection classes: no accessories/with Outdoor Wall Mount/with Vandalism Set	IP54 and IK10/IP65 and IK10/IP66 and IK10+		
Intended use	Not for use in hazardous areas (Ex area)		
Ambient temperature (range, incl. storage)	-40 to 60°C/-40 to 140°F (cold boot from -30°C/-22°F, no permanent operation at 60°C/140°F)		
Internal DVR, ex works	4 GB (microSD)		
Microphone/speaker	Yes/Yes		
16bit/16kHz HD wideband audio (Opus codec)	Yes (live and audio messages)		

Technical Specifications

MOBOTIX D16B DualDome

Hardware	D16B For Self-Assembly Day Or Night	D16B 180° Panorama Day Or Night	D16B Day & Night
Passive infrared sensor (PIR)	Yes		
Temperature sensor	Yes		
Shock detector (tamper detection)	Yes		
Power consumption (typ- ically at 20°C/68°F)	8 watts		
PoE Class (IEEE 802.3af)	Class 2 or 3 (variable), factory setting: class 3		
Interfaces Ethernet 100BaseT/MxBus/USB	Yes (MxRJ45)/Yes/Yes		
Interface RS232	With accessory (MX-232-IO-Box)		
Mounting options	Wall, ceiling or pole (with optional Wall & Pole/Corner Mount Set)		
Dimensions Mx-D16B (height x diameter)	108 x 205 mm		
Weight Mx-D16B	640 g		
Housing	Fixed Dome, PC-PBT, color: white		
Standard accessory Mx-D16B	Screws, dowels, allen screw, custom tool with magnet, Torx wrench, 0.5 m ethernet patch cable, Quick Install, lens cover		
Detailed technical doc- umentation	www.mobotix.com > Support > Download Center		
Online version of this doc- ument	www.mobotix.com > Support > Download Center		
MTBF	> 80,000 hours		
Certifications	EN55032:2012 EN55022:2010; EN55024:2010 EN61000-6-1:2007 EN61000-6-3:2007+A1:2011 EN61000-6-4:2007+A1:2011 AS/NZS CISPR22:2009+A1:2010		
Protocols	IPv4, IPv6, HTTP, HTTPS, FTP, FTPS, SFTP, RTP, RTSP, UDP, SNMP, SMTP, DHCP (client and server), NTP (client and server), SIP (client and server) G.711 (PCMA and PCMU) and G.722		
Manufacturer's warranty (since May 2018)	3 years		

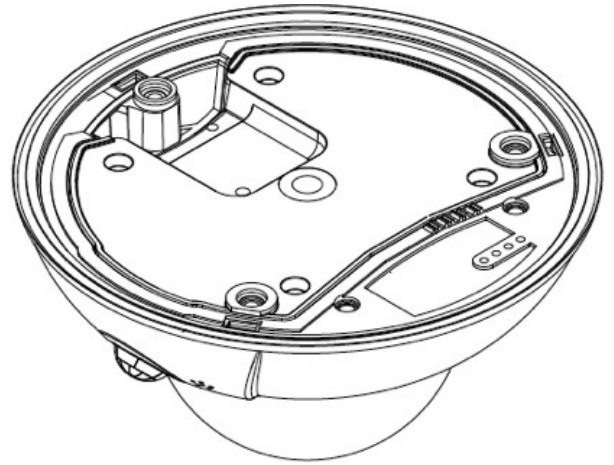
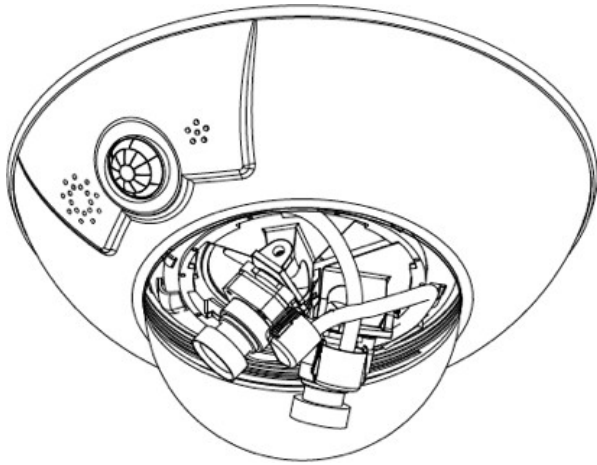
Image Formats, Frame Rates, Image Storage	D16B For Self-Assembly Day Or Night	D16B 180° Panorama Day Or Night	D16B Day & Night
Available video codecs	MxPEG/MJPEG/H.264		
Image formats	Freely configurable format 4:3, 8:3, 16:9 or customized format (Image Cropping), such as 2592x1944 (5MP), 2048x1536 (QXGA), 1920x1080 (Full-HD), 1280x960 (MEGA)		
Multistreaming	Yes		
Multicast stream via RTSP	Yes		
Max. image format (dual image from both sensors)	2x 6MP (6144 x 2048)		
Max. frame rate (fps, only single core used)	MxPEG: 42@HD(1280x720), 34@Full-HD, 24@QXGA, 15@5MP, 12@6MP, 6@2x 6MP MJPEG: 26@HD(1280x720), 13@Full-HD, 9@QXGA, 5@5MP, 4@6MP, 2@2x 6MP H.264: 25@Full-HD, 20@QXGA		
Number of images with 4 GB microSD (internal DVR)	CIF: 250,000, VGA: 125,000, HD: 40,000, QXGA: 20,000, 6MP: 10,000		
General Functions	D16B For Self-Assembly Day Or Night	D16B 180° Panorama Day Or Night	D16B Day & Night
Digital zoom and pan	Yes		
ONVIF compatibility	Yes (Profile S, audio support with camera firmware V5.2.x and higher)		
Genetec protocol integration	Yes		
Programmable exposure zones	Yes		
Snapshot recording (pre/post-alarm images)	Yes		
Continuous recording with audio	Yes		
Event recording with audio	Yes		
Time controlled flexible event logic	Yes		
Weekly schedules for recordings and actions	Yes		

Technical Specifications

MOBOTIX D16B DualDome

General Functions	D16B For Self-Assembly Day Or Night	D16B 180° Panorama Day Or Night	D16B Day & Night
Event video and image transfer via FTP and email	Yes		
Playback and QuadView via web browser	Yes		
Bidirectional audio in browser	Yes		
Animated logos on the image	Yes		
Master/Slave functionality	Yes		
Privacy zone scheduling	Yes		
Customized voice messages	Yes		
VoIP telephony (audio, alert)	Yes		
Remote alarm notification (network message)	Yes		
Programming interface (HTTP-API)	Yes		
DVR	Inside camera via microSD card, externally via USB device and NAS, different streams for live image and recording, MxFFS with archive function, pre-alarm an post-alarm images, monitoring recording with failure reporting		
Camera and data security	User and group management, SSL connections, IP-based access control, IEEE802.1x, intrusion detection, digital image signature		
MxMessageSystem: Sending and receiving of MxMessages	Yes		
Video Analysis	D16B For Self-Assembly Day Or Night	D16B 180° Panorama Day Or Night	D16B Day & Night
Video motion detector	Yes		
MxActivitySensor	Yes		

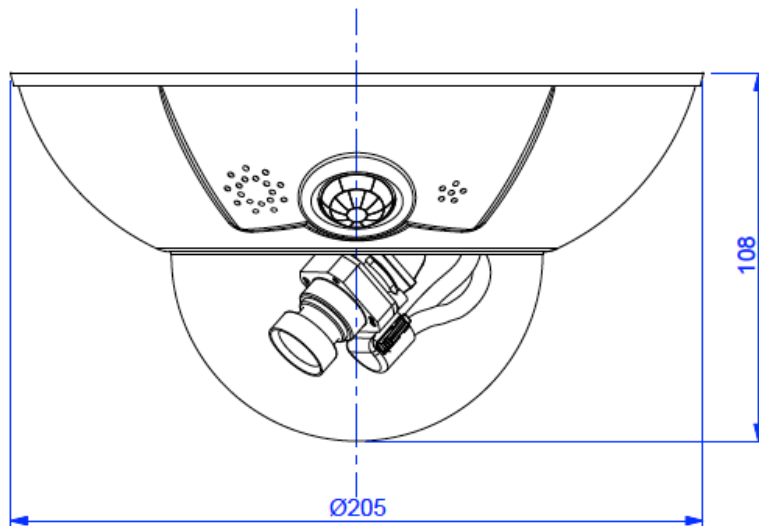
Video Management Software	D16B For Self-Assembly Day Or Night	D16B 180° Panorama Day Or Night	D16B Day & Night
MxManagementCenter	Yes		
Mobile MOBOTIX App	Yes		



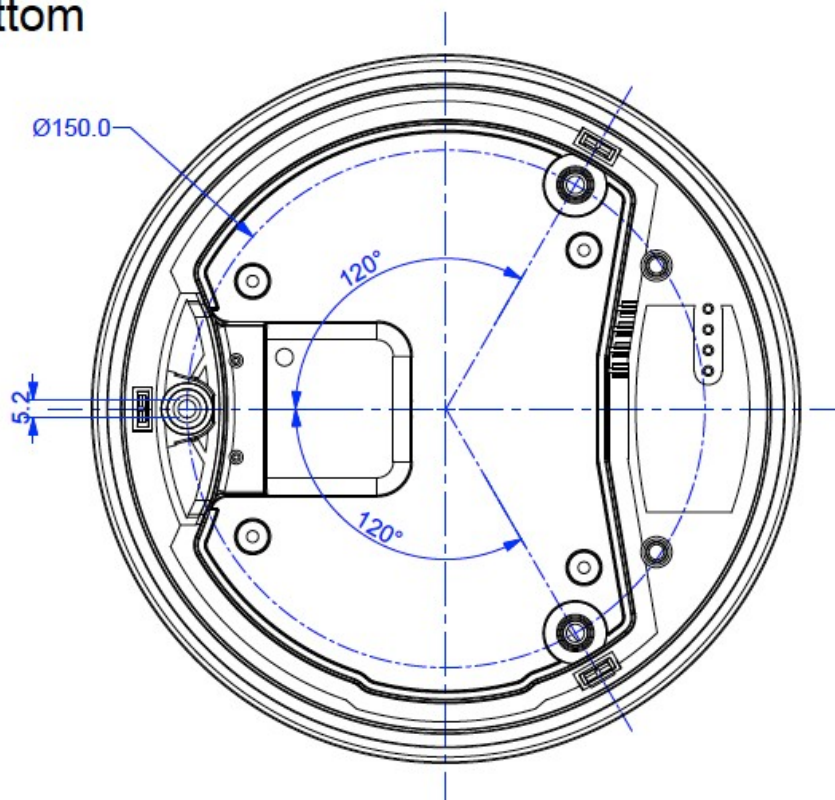
Dimensions of Outdoor Wall Mount (accessory)

Dimensions in mm

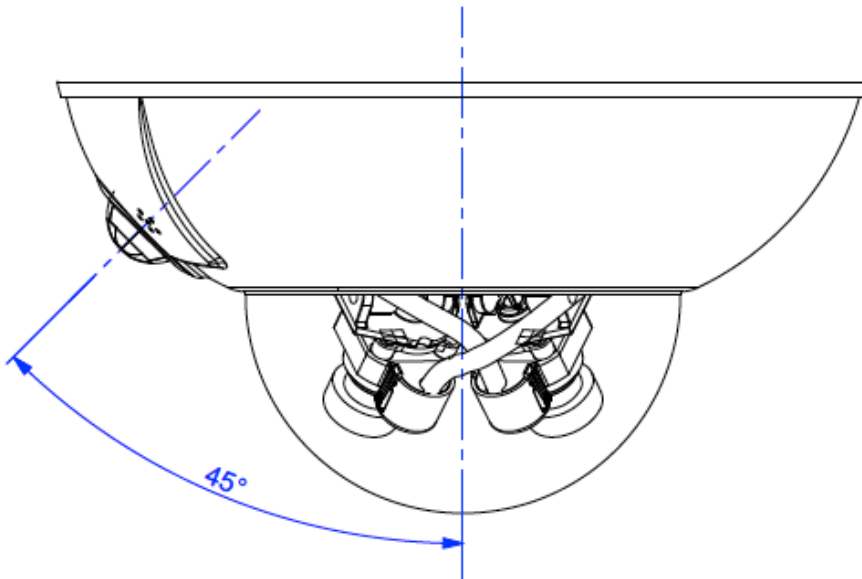
Front



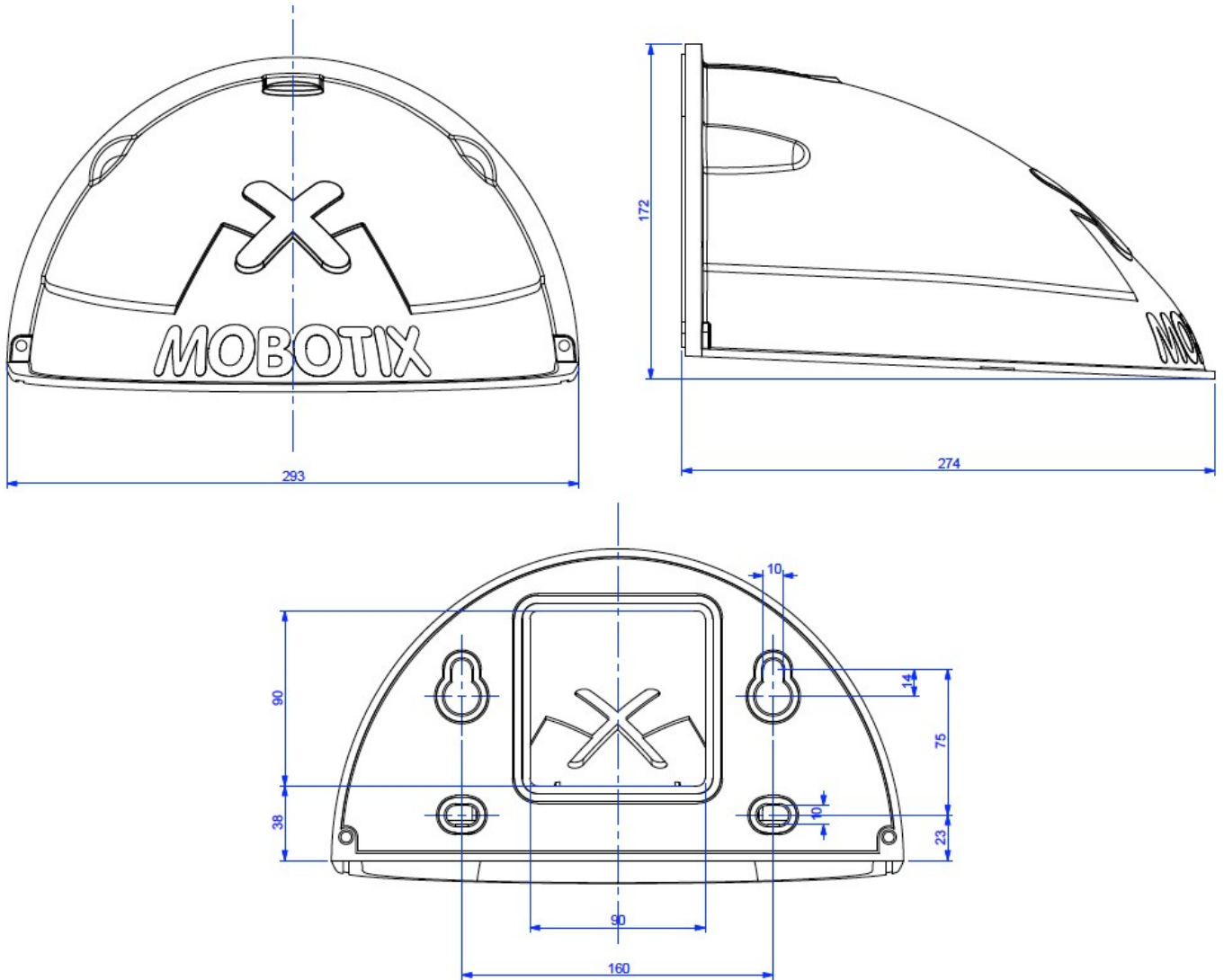
Bottom



Side



Technical Specifications
MOBOTIX D16B DualDome



MOBOTIX

BeyondHumanVision

[EN_11/21](#)

MOBOTIX AG • Kaiserstrasse • D-67722 Langmeil • Tel.: +49 6302 9816-103 • sales@mobotix.com • www.mobotix.com

MOBOTIX is a trademark of MOBOTIX AG registered in the European Union, the U.S.A., and in other countries. Subject to change without notice. MOBOTIX do not assume any liability for technical or editorial errors or omissions contained herein. All rights reserved. © MOBOTIX AG 2019